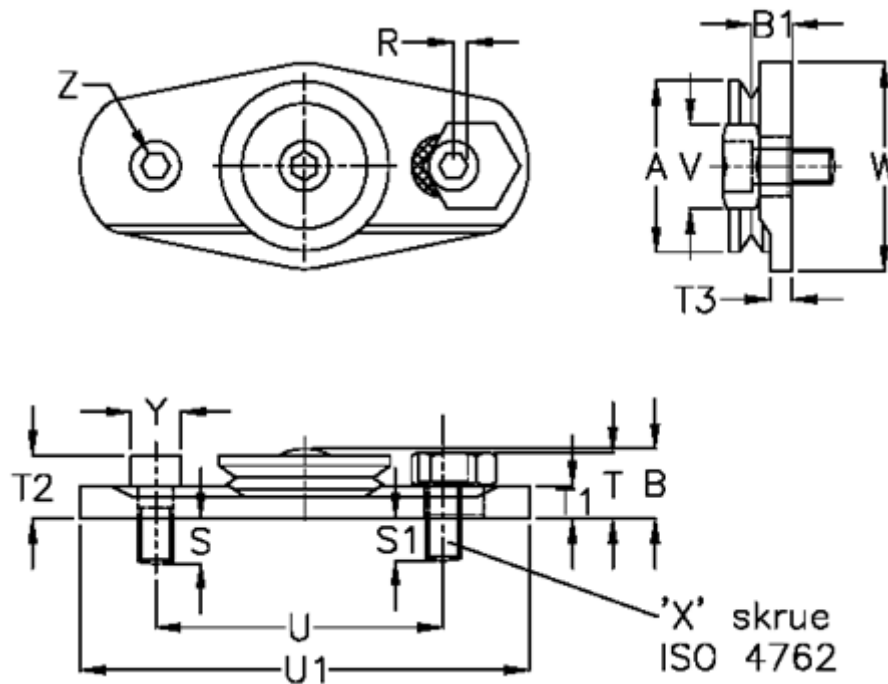


Article number: 0571514360

Description: Hepco GV3 bearing GBHJ 360 ENS
Slimline for Blind hole Fixing

Measures



a = 36.0	T2 = 12.5	Y = 10.0
B = 14.0	T3 = 4.3	Z = 14
B1 = 8.3	U = 60.0	
R = 2.0	U1 = 90.5	
S = 9.5	V = 17	
S1 = 11.3	W = 42.0	
T = 13.3	Weight kg/1000 = 0.065	
T1 = 6.5	X = M6	